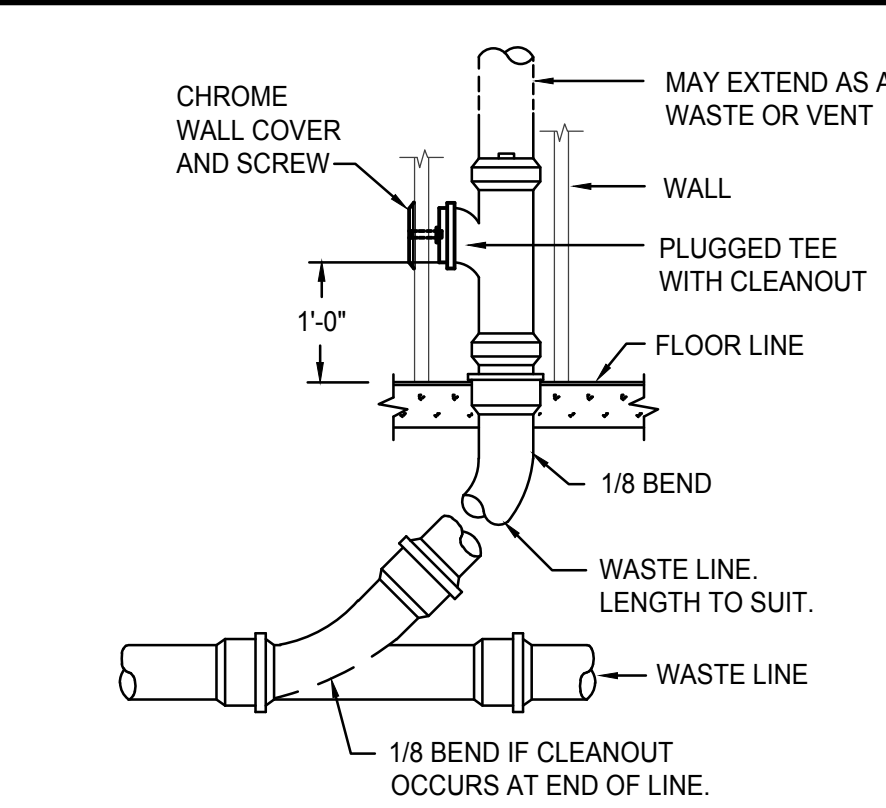


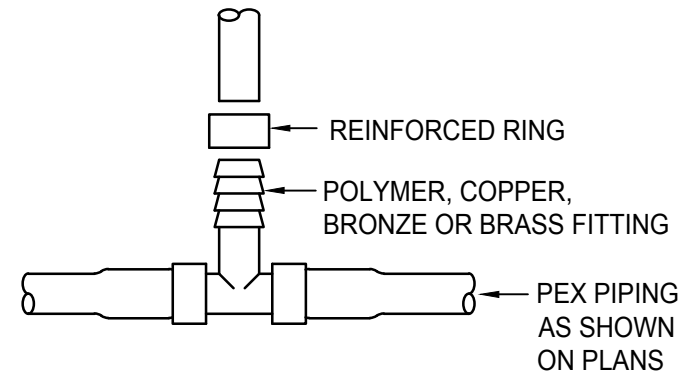
FIXTURE SCHEDULE					
SYM.	DESCRIPTION	HOT	COLD	WASTE	VENT
WC-1	ADA FLUSH VALVE WATER CLOSET - KOHLER K-4368 "HIGHCLIFF" WITH ELONGATED BOWL, K-4670C WHITE OPEN FRONT SEAT, SLOAN MANUAL FLUSH VALVE AND CHINA BOLT CAPS.	-	1"	4"	2"
L-1	WALL MOUNTED LAVATORY - KOHLER K-2032N "GREENWICH" (SIZE 18x20) WITH K-7129 OPEN GRID STRAINER, ELKAY LK-403T4 FAUCET WITH A55387 WRIST BLADE HANDLES, 1/2" BALL TYPE STOPS AND 1-1/2" P-TRAP. PROVIDE TRUEBRO MODEL 102 INSULATING JACKET ON WASTE AND WATER LINES.	1/2"	1/2"	1-1/2"	1-1/2"
S-1	EXAM ROOM SINK - ELKAY MODEL LR-1918 STAINLESS STEEL SINK WITH LKD2438BH HI-ARC FAUCET WITH WRIST BLADE HANDLES, LK35 DUO STRAINER, 1/2" BALL TYPE STOPS AND 1-1/2" P-TRAP.	1/2"	1/2"	1-1/2"	1-1/2"
PI-1	PLASTER INTERCEPTOR - ZURN MODEL Z1180 INSTALLED UNDER COUNTER AS PER MANUFACTURE RECOMMEND DETAILS.	-	-	1-1/2" INLET 2" OUTLET	-



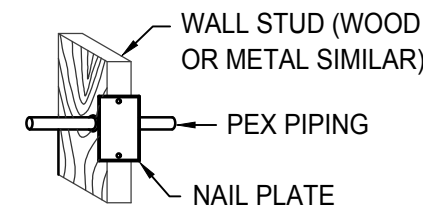
A WALL CLEANOUT DETAIL
NO SCALE

THIS TYPE (COLD EXPANSION) OF FITTING REQUIRES THAT THE PEX PIPING, WITH REINFORCING PEX RING PLACED OVER THE END OF THE PIPE, IS EXPANDED BEFORE THE FITTING IS INSERTED INTO THE PIPE END. THE EXPANDED PIPE END IS ALLOWED TO RETRACT ONTO THE FITTING TO FORM THE SEAL. THE MEMORY OF THE PIPE ALLOWS IT TO TIGHTEN OVER THE FITTING. AN EXPANDER TOOL IS REQUIRED TO EXPAND THE PIPE AND THE PEX RING TOGETHER.

ALL JOINTS (TEES, ELBOWS, COUPLINGS, ETC.) ARE JOINTED SIMILARLY.



B PEX PIPE FITTING DETAILS
NO SCALE



WALL INSTALLATION

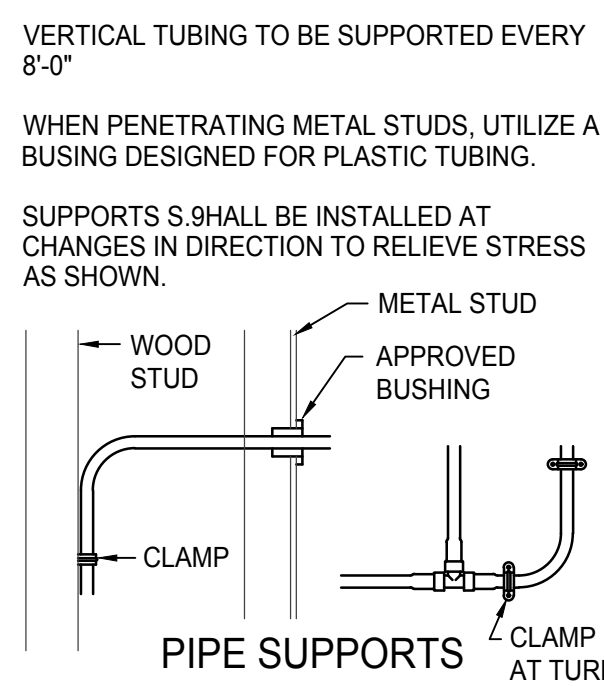
PIPE SUPPORTS: PLASTIC HANGERS AND STRAPS ARE RECOMMENDED, BUT METAL SUPPORTS WHICH ARE DESIGNED FOR USE WITH PLASTIC TUBING CAN BE USED.

DO NOT USE SUPPORTS THAT PINCH OR CUT THE TUBING. SUPPORT SHOULD ALLOW FREE TUBING MOVEMENT.

INSPECT ALL SUPPORTS PRIOR TO INSTALLATION TO ENSURE THAT SHARP EDGES DO NOT EXIST THAT CAN DAMAGE THE TUBING.

DO NOT USE IN ANY APPLICATION WHERE TUBING WILL BE EXPOSED TO DIRECT SUNLIGHT.

C PEX PIPE INSTALLATION DETAILS
NO SCALE



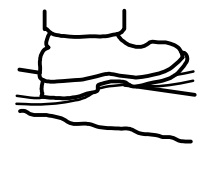
VERTICAL TUBING TO BE SUPPORTED EVERY 8'-0"

WHEN PENETRATING METAL STUDS, UTILIZE A BUSHING DESIGNED FOR PLASTIC TUBING.

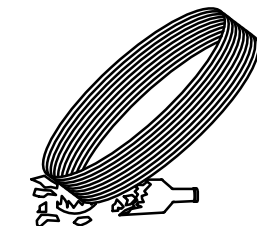
SUPPORTS SHALL BE INSTALLED AT CHANGES IN DIRECTION TO RELIEVE STRESS AS SHOWN.

MIN. CLEARANCES

TUBING SIZE	MIN. RADIUS BENDING
3/8"	4"
1/2"	5"
3/4"	7"
1"	9"



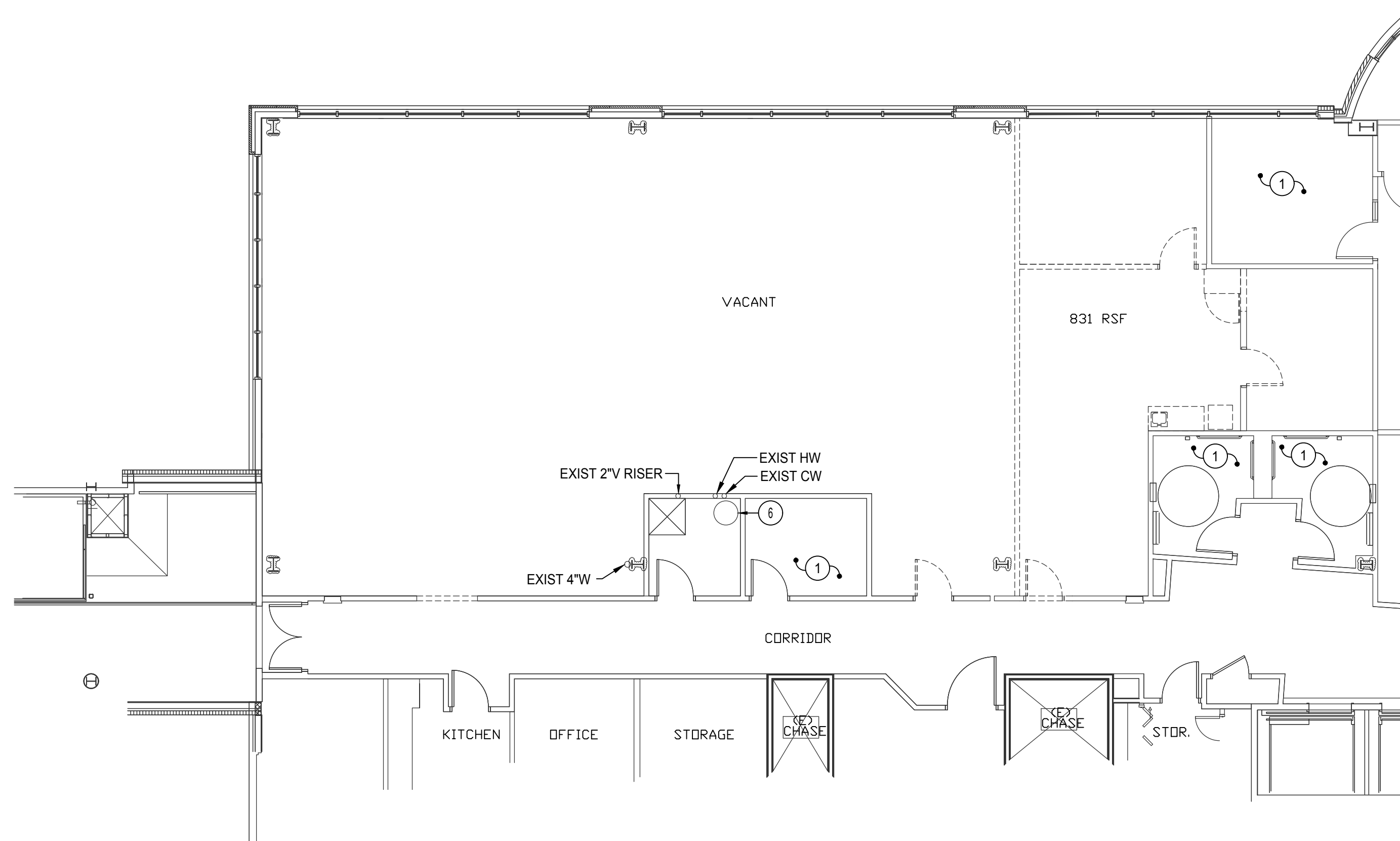
DO NOT CRUSH OR KINK TUBING



DO NOT DRAG TUBING OVER ROUGH TERRAIN, ROCKS, OR ANY SURFACE THAT CAN CUT, PUNCTURE OR DAMAGE TUBING WALL.

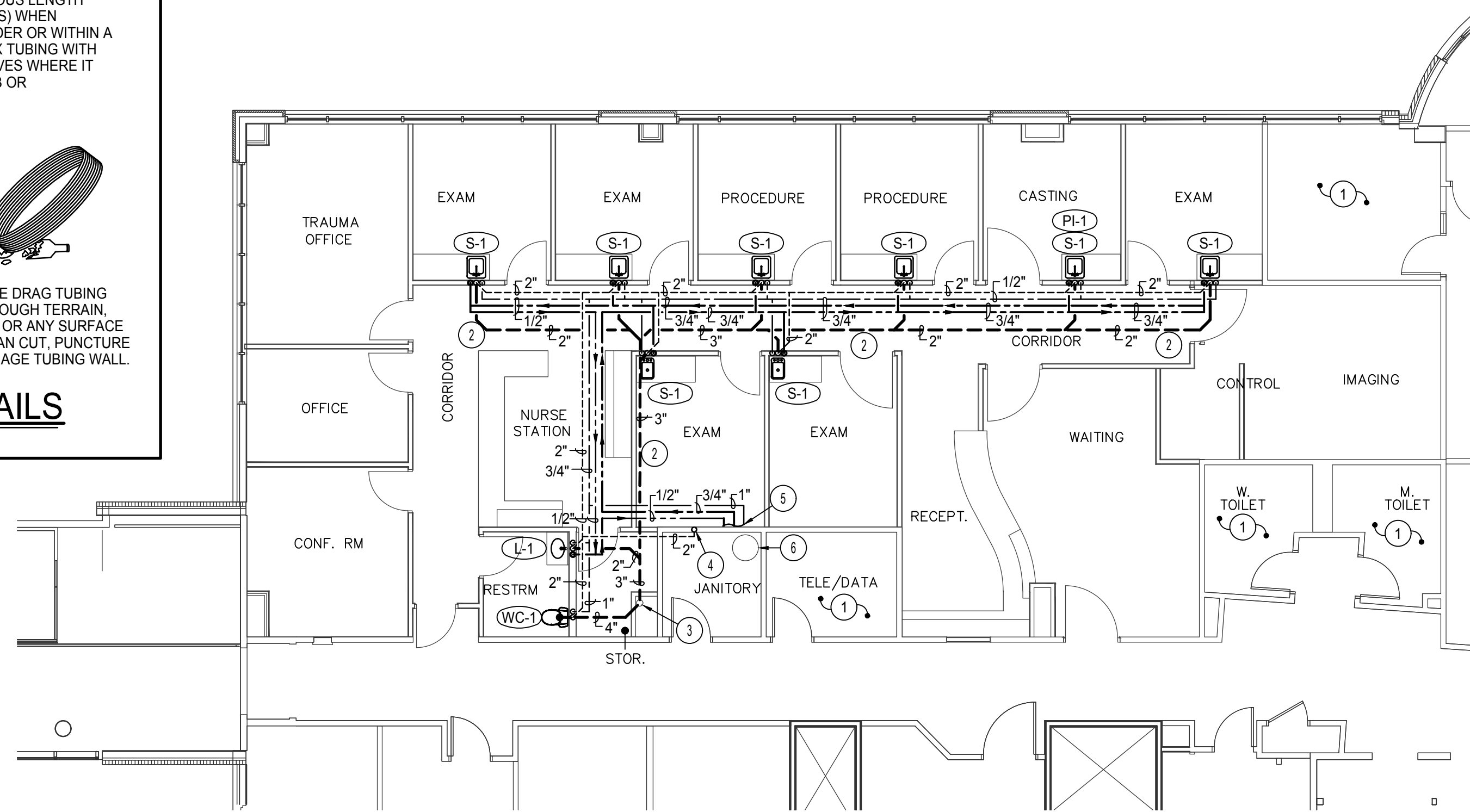
TUBING AND FITTINGS SHALL BE STORED UNDERCOVER FOR CLEANLINESS AND TO AVOID EXPOSURE TO SUNLIGHT. CONSULT MANUFACTURER FOR RECOMMENDED LIMITS TO OUTSIDE STORAGE.

D PEX PIPE HANDLING DETAILS
NO SCALE



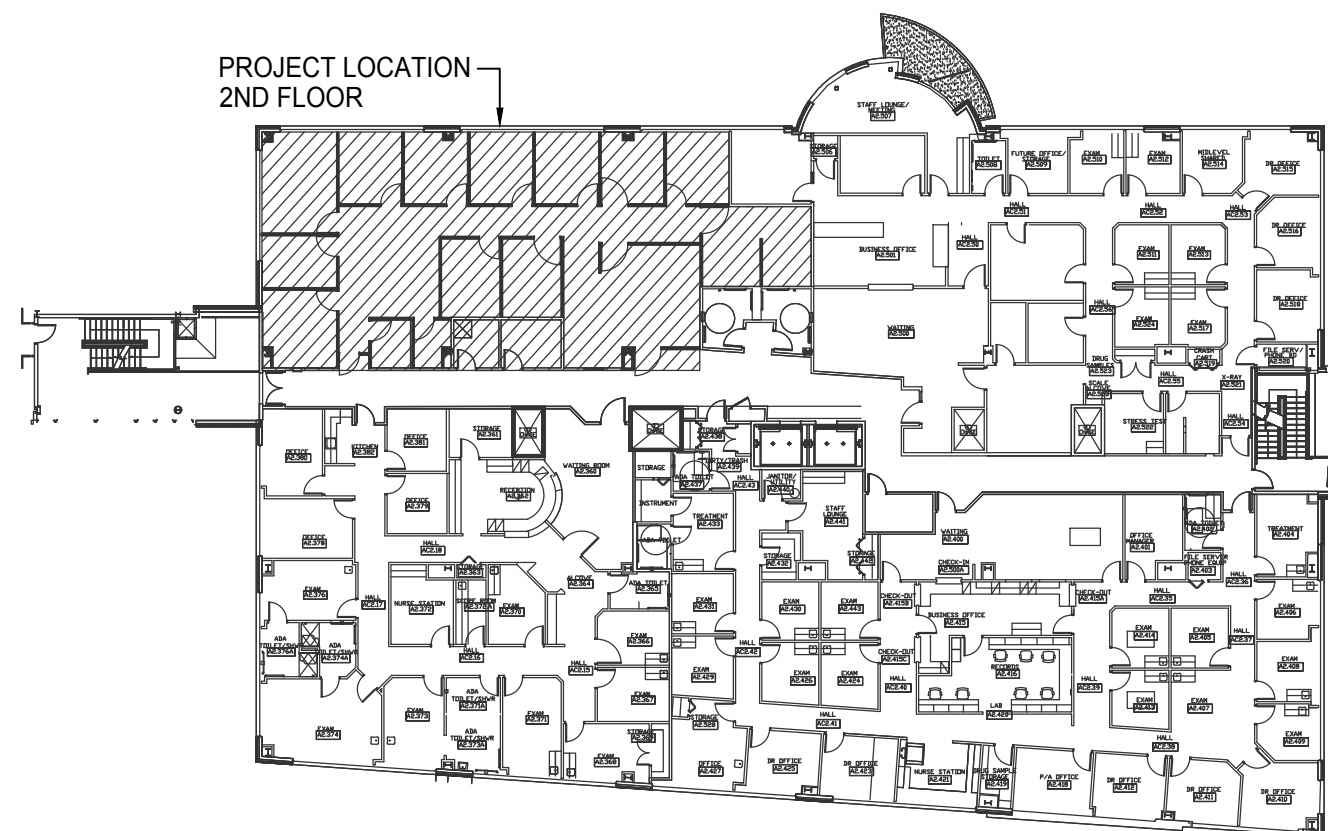
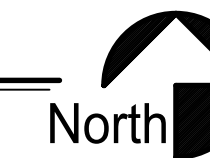
DEMOLITION 2ND FLOOR PLUMBING PLAN

SCALE: 1/8" = 1'-0"



2ND FLOOR PLUMBING PLAN

SCALE: 1/8" = 1'-0"



KEY PLAN
NO SCALE



PLAN NOTES:

- NO WORK TO BE DONE IN THIS ROOM. PROTECT DURING CONSTRUCTION.
- RUN NEW WASTE LINE BELOW FLOOR. COORDINATE INSTALLATION WITH TENANTS ON FLOOR BELOW.
- CONNECT NEW WASTE LINE TO EXISTING 4" WASTE STACK. FIELD VERIFY EXACT LOCATION AND SIZE OF EXISTING WASTE STACK.
- CONNECT NEW 2" VENT LINE TO EXISTING 3" VENT STACK. FIELD VERIFY EXACT LOCATION OF EXISTING VENT STACK.
- CONNECT NEW 3/4" HW, 1/2" HWRC, AND 1" CW LINE TO CORRESPONDING NEAREST EXISTING. PROVIDE NEW SHUT-OFF VALVE IN PIPING AND RUN TO NEW FIXTURES IN CEILING SPACE & AS SHOWN ON PLAN. FIELD VERIFY EXACT LOCATIONS AND SIZES OF EXISTING PIPING.
- EXISTING WATER HEATER TO REMAIN. PROTECT DURING CONSTRUCTION.

GENERAL NOTES:

- THE CONTRACTOR SHALL CHECK AND VERIFY ALL DIMENSIONS AND CONNECTIONS ON THE JOB SITE. ALL WORK SHALL BE EXECUTED FROM MEASUREMENTS TAKEN AT THE SITE.
- ALL DUCTWORK AND PIPING WHICH PASSES THRU FIRE RATED WALLS TO BE FIRE STOPPED WITH APPROVED FOAM OR SEALANT. REFER TO SPECIFICATIONS FOR APPROVED MANUFACTURERS.

PLUMBING LEGEND

SYMBOL	DESCRIPTION
V	VENT
VTR	VENT THRU ROOF
CO	CLEANOUT
WCO	WALL CLEANOUT
COTG	CLEANOUT TO GRADE
G	PIPE DROP
○	PIPE RISE
○	BALL TYPE ISOLATION VALVE
---	SOIL OR WASTE PIPING
---	VENT LINE PIPING
---	HARD COLD WATER PIPING
---	DOMESTIC HOT WATER PIPING
---	DOMESTIC HW RECIRC. PIPING
---	DOMESTIC 140°F HW PIPING
---	CONDENSATE DRAIN LINE
G	NATURAL GAS PIPING
G	NATURAL GAS REGULATOR

Engineered Systems Associates
 1355 EAST CENTER
 POCATELLO, IDAHO 83201
 PHONE: (208) 233-0501
 FAX: (208) 233-0529
 EMAIL: esa@engsystems.com
 ESA JOB NUMBER: 21163

COPYRIGHT 2022
 JENSEN HAYES SHROPSHIRE ARCHITECTS, P.A.

 JENSEN HAYES SHROPSHIRE ARCHITECTS, P.A.
 125 NORTH GARFIELD
 POCATELLO, IDAHO 83204
 (208) 232-1223

ORTHOPEDIC CLINIC OFFICE REMODEL
PORTNEUF MEDICAL CENTER
 777 HOSPITAL WAY, POCATELLO, IDAHO
PLUMBING DETAILS AND SCHEDULES

REVISIONS:
 DATE: SEP 2022
 DRAWING NO. **P1.1**
 JOB NO. 2209
 1 OF 1